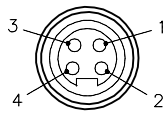


S1, S2 CONNECTORS

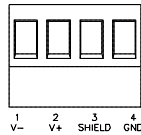


1 = - VOLTAGE  
 2 = + VOLTAGE  
 3 = SHIELD  
 4 = GROUND



FOUNDATION™  
 fieldbus

TERMINAL BLOCK PLUGS

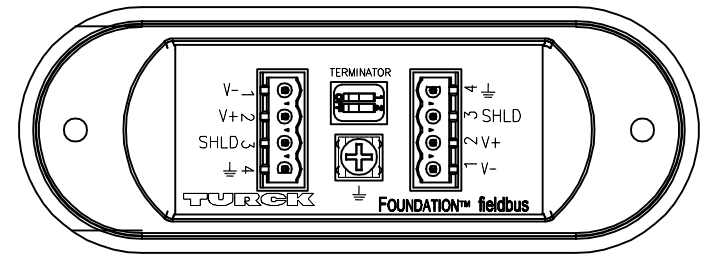
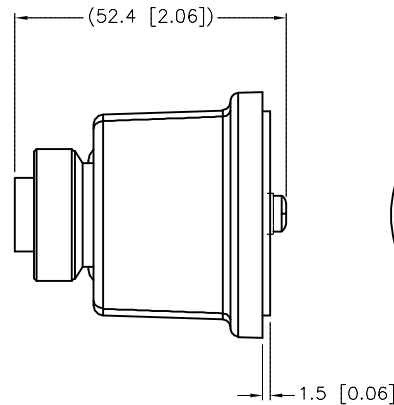
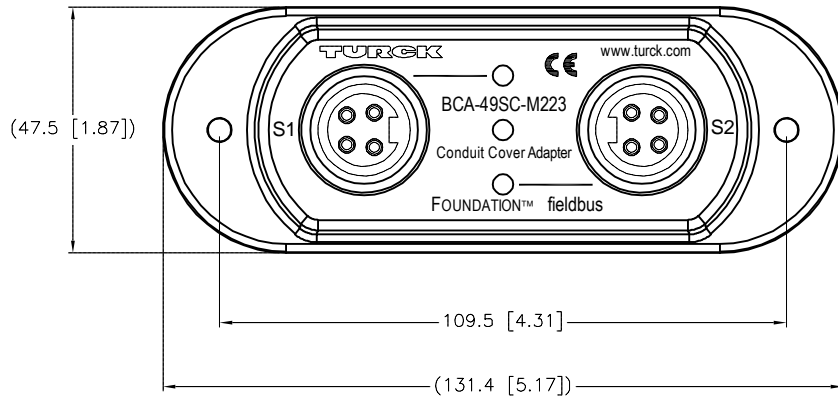


1 = - VOLTAGE  
 2 = + VOLTAGE  
 3 = SHIELD  
 4 = GROUND

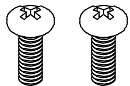
FOUNDATION™  
 fieldbus

SPECIFICATIONS

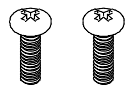
HOUSING MATERIAL	NYLON 66 - 33% GLASS FILLED/BLACK
RECEPTACLE HOUSING MATERIAL/FINISH	STAINLESS STEEL/PASSIVATED
CONTACT CARRIERS/COLOR	TPU/BLACK
CONTACT MATERIAL/PLATING	BRASS/GOLD
COVER SCREW MATERIAL	STAINLESS STEEL
OPERATING VOLTAGE	12-32 V
VOLTAGE SURGE PROTECTION	>36 VDC
OPERATING CURRENT	< 10 mA
OUTPUT CURRENT LIMIT	63 mA
OPTIONAL TERMINATOR RESISTOR	1 OF 2 SWITCHES IN "ON" POSITION
PROTECTION CLASS to DIN 40050	IP 67 - ONLY WHEN ALL RECEPTACLES ARE COVERED WITH PLUGS OR CONNECTED
OPERATING TEMPERATURE	-30°C to +80°C (-22°F to +176°F)



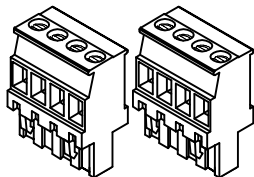
COVER SCREWS INCLUDED



FORM 8 CONDUIT BODIES:  
 10-24 SCREWS



MARK 9 CONDUIT BODIES:  
 8-32 SCREWS



TERMINAL PLUGS INCLUDED

SOURCE DRAWING - FOR REFERENCE ONLY

RELATED DOCUMENTS		3RD ANGLE PROJECTION		THIS DRAWING IS CONFIDENTIAL AND THE PROPERTY OF TURCK INC. USE OF THIS DOCUMENT WITHOUT WRITTEN PERMISSION IS PROHIBITED.		3000 CAMPUS DRIVE MINNEAPOLIS, MN 55441 1-800-544-7769 (763) 553-7300 (763) 553-0708 fax www.turck.us	
1. 2. 3. 4.				DRFT DF APVD DF		DATE 03/08/05 SCALE 1=1.5	
MATERIAL		UNIT OF MEASUREMENT		DESCRIPTION		BCA-49SC-M223	
FINISH		MILLIMETER [ INCH ]		IDENTIFICATION NO.		REV	
CONTACT TURCK FOR MORE INFORMATION		DO NOT SCALE THIS DRAWING		U3-00023		H	
H ADD COVER SCREW MATERIAL		NF 05/02/18 65164		FILE: U3-00023		SHEET 1 OF 1	
REV DESCRIPTION		BY DATE ECO NO.					